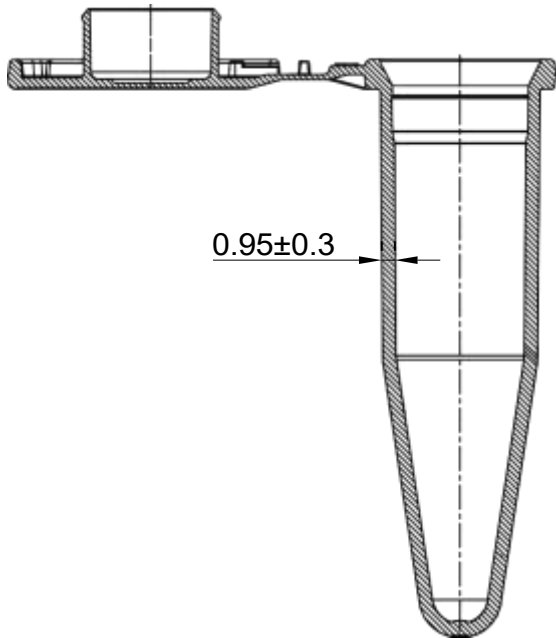
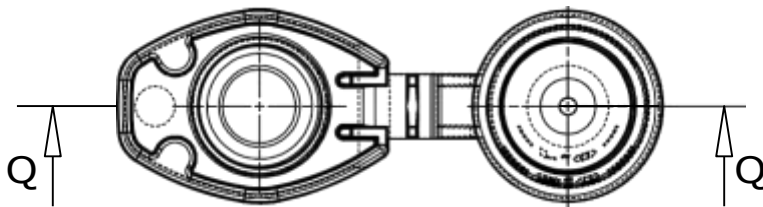
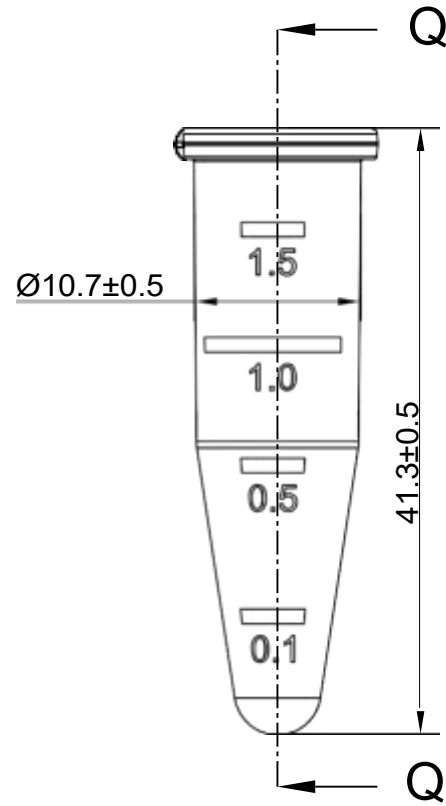


IF IN DOUBT PLEASE ASK
ALL DIMENSIONS ARE IN mm



SECTION Q-Q



Drawing Number.

A4

Part Name:

PCRD-015-500

Microcentrifuge tubes, graduated, DNase and
RNase free, Premium Line, 1,5 ml, 500 pc

SCALE:2:1

SHEET 1 OF 1



Labbox Labware, S.L.